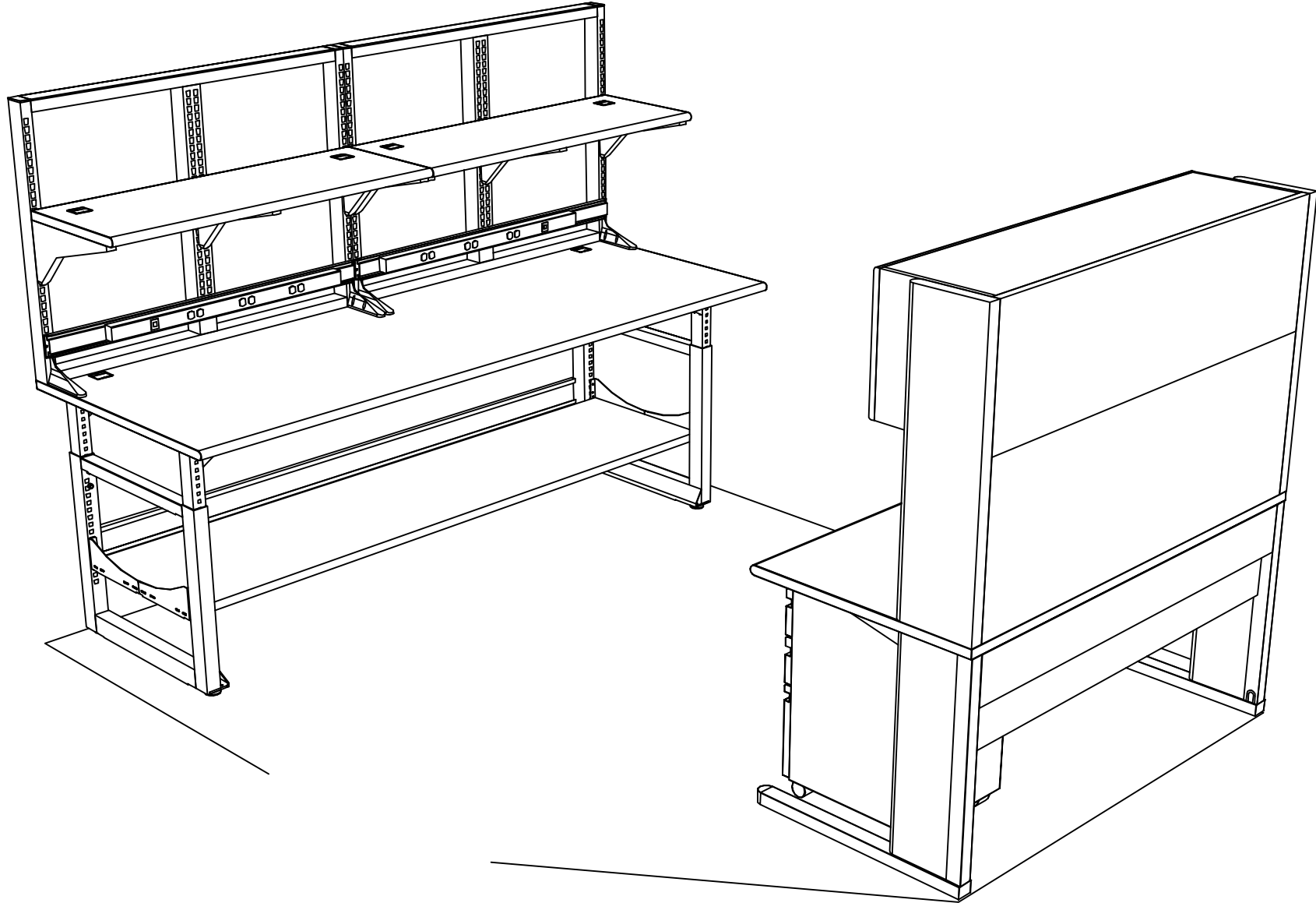


This is an artistic representation of a custom Wright Line Solution. This representation may contain items to demonstrate layout usages. A Wright Line Bill of Material (BOM) will reflect the only items being quoted.



**wright·line**  
technical environment solutions

Sales Representative:  
Dennis Kilgariff

Eastern

Prepared for:  
AMRCON  
tech office

2009 © Wright Line LLC. All rights reserved. No portion of this document may be reproduced or transmitted in whole or in part without the prior written consent of Wright Line LLC.

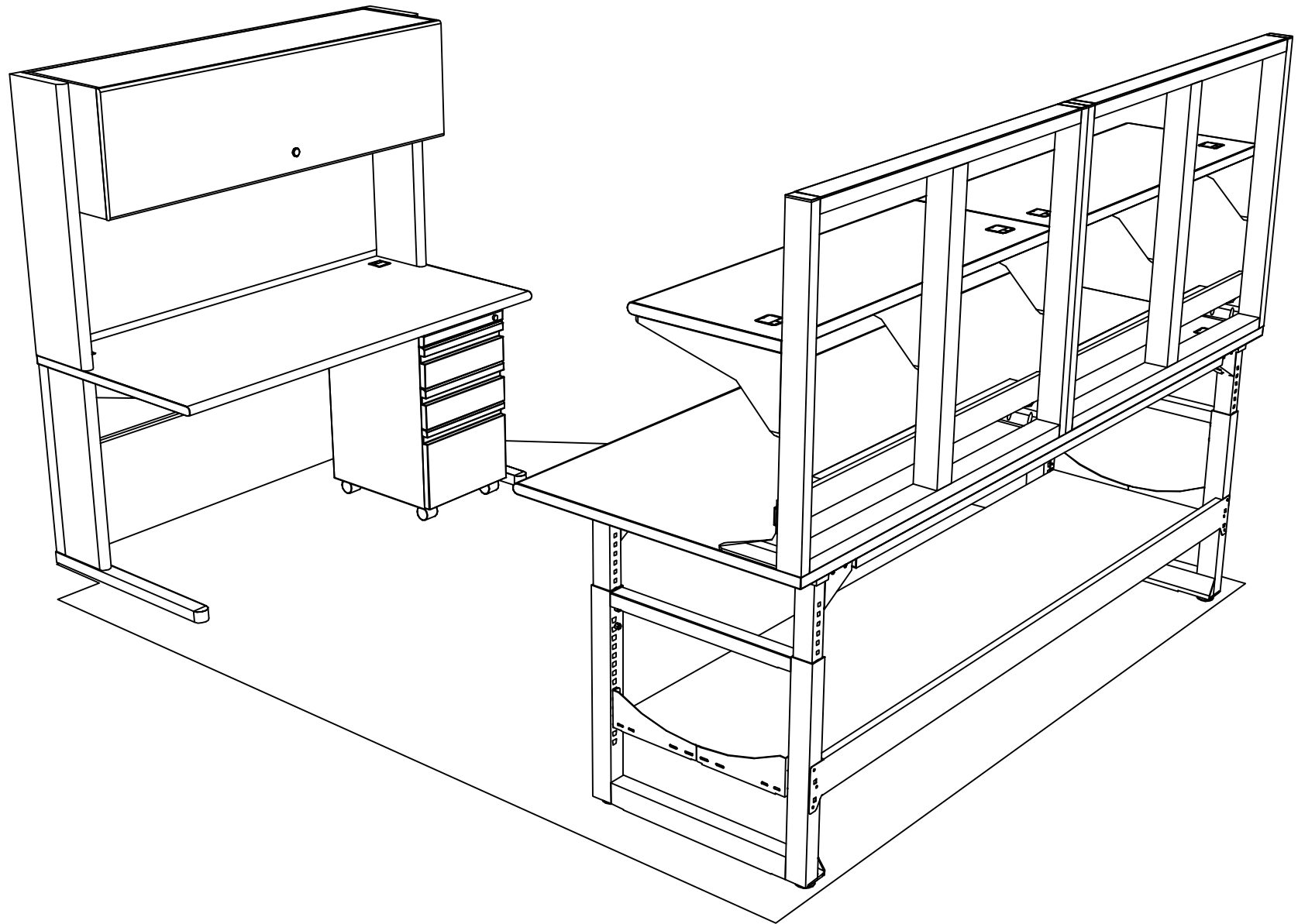
Product:  
Tech Bench

Date:  
03/16/2010

Drawn by:  
Sarath SV

Quote:  
Q11011\_20720

This is an artistic representation of a custom Wright Line Solution. This representation may contain items to demonstrate layout usages. A Wright Line Bill of Material (BOM) will reflect the only items being quoted.



**wright·line**  
technical environment solutions

Sales Representative:  
Dennis Kilgariff  
  
Eastern

Prepared for:  
AMRCON  
tech office

2009 © Wright Line LLC. All rights reserved. No portion of this document may be reproduced or transmitted in whole or in part without the prior written consent of Wright Line LLC.

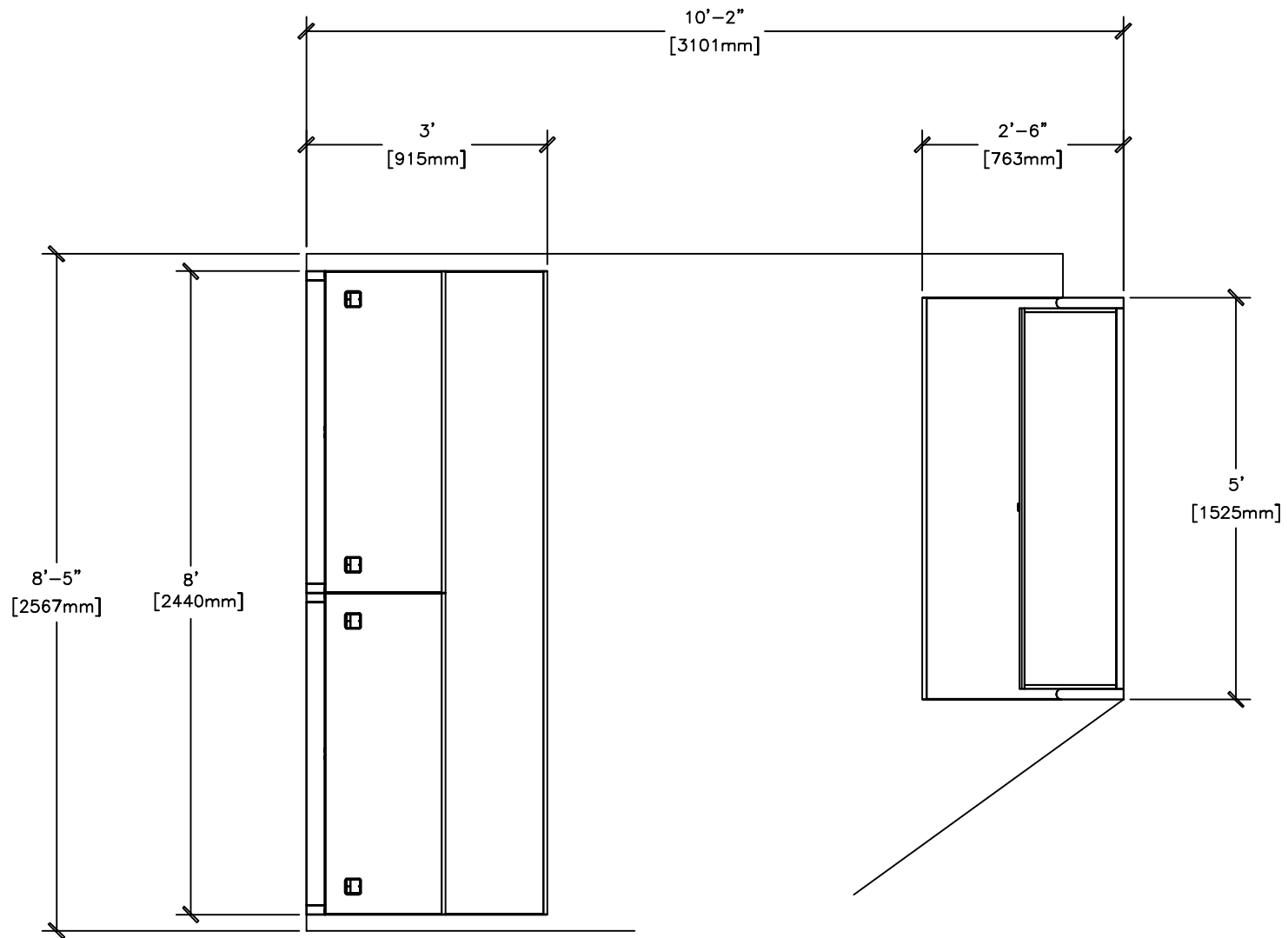
Product:  
Tech Bench

Date:  
03/16/2010

Drawn by:  
Sarath SV

Quote:  
Q11011\_20720

This is an artistic representation of a custom Wright Line Solution. This representation may contain items to demonstrate layout usages. A Wright Line Bill of Material (BOM) will reflect the only items being quoted.



**wright·line**  
technical environment solutions

Sales Representative:  
Dennis Kilgariff  
Eastern

Prepared for:  
AMRCON  
tech office

2009 © Wright Line LLC. All rights reserved. No portion of this document may be reproduced or transmitted in whole or in part without the prior written consent of Wright Line LLC.

Product:  
Tech Bench

Date:  
03/16/2010

Drawn by:  
Sarath SV

Quote:  
Q11011\_20720