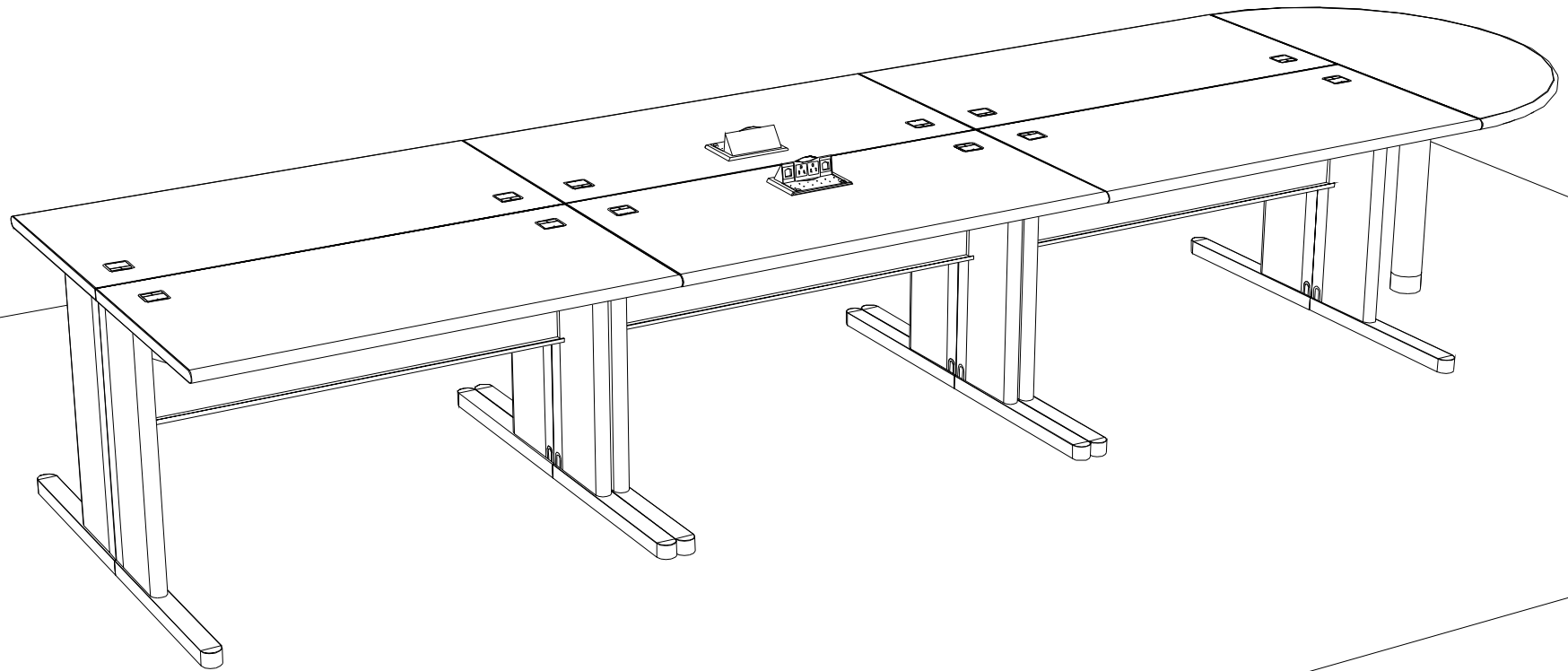


This is an artistic representation of a custom Wright Line Solution. This representation may contain items to demonstrate layout usages. A Wright Line Bill of Material (BOM) will reflect the only items being quoted.



wright·line
technical environment solutions

Sales Representative:
Dennis Kilgariff

Eastern

Prepared for:
AMRCON
Conf. Table

2009 © Wright Line LLC. All rights reserved. No portion of this document may be reproduced or transmitted in whole or in part without the prior written consent of Wright Line LLC.

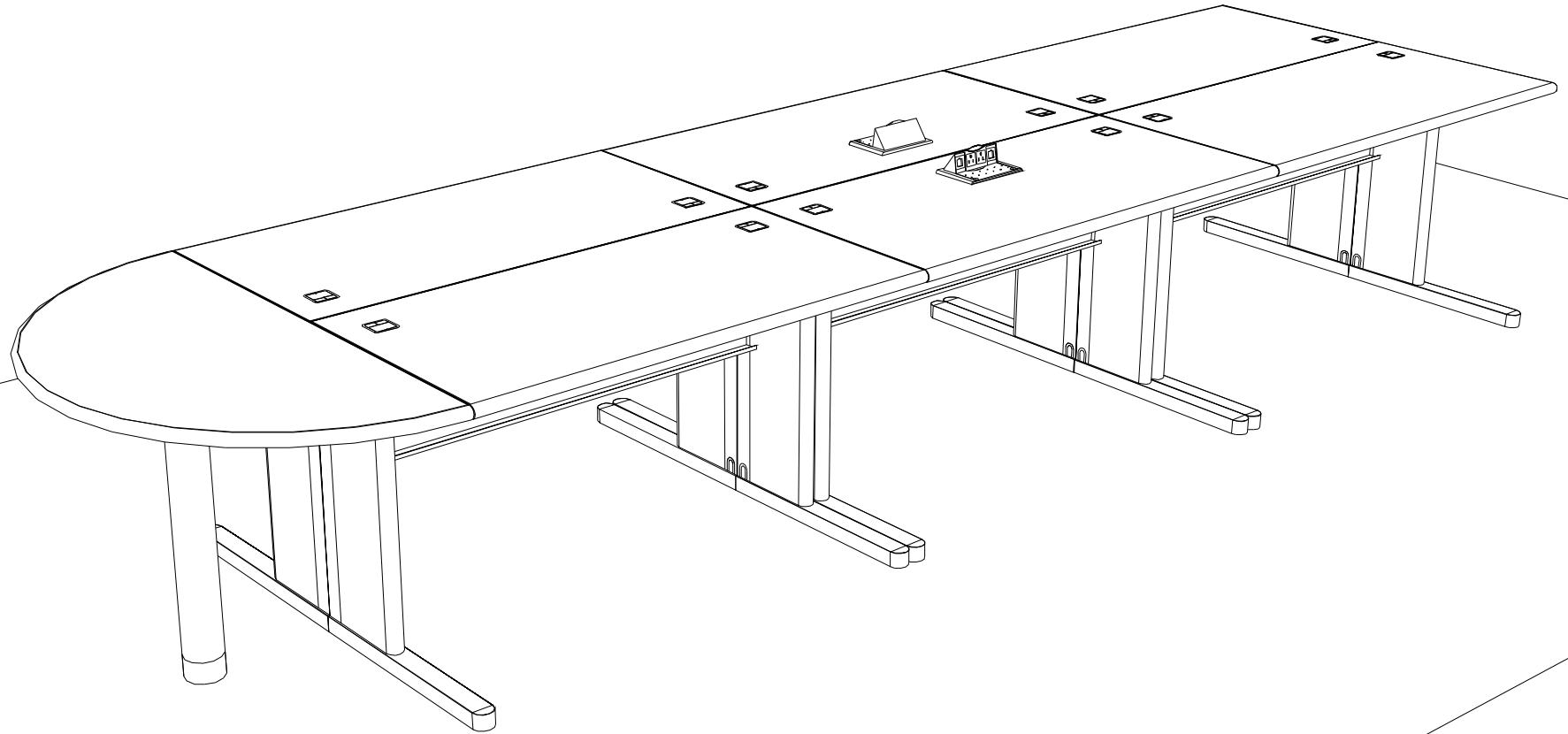
Product:
Linx

Date:
03/05/2010

Drawn by:
Joel

Quote:
Q11011_20720

This is an artistic representation of a custom Wright Line Solution. This representation may contain items to demonstrate layout usages. A Wright Line Bill of Material (BOM) will reflect the only items being quoted.



wright·line
technical environment solutions

Sales Representative:
Dennis Kilgariff

Eastern

Prepared for:
AMRCON
Conf. Table

2009 © Wright Line LLC. All rights reserved. No portion of this document may be reproduced or transmitted in whole or in part without the prior written consent of Wright Line LLC.

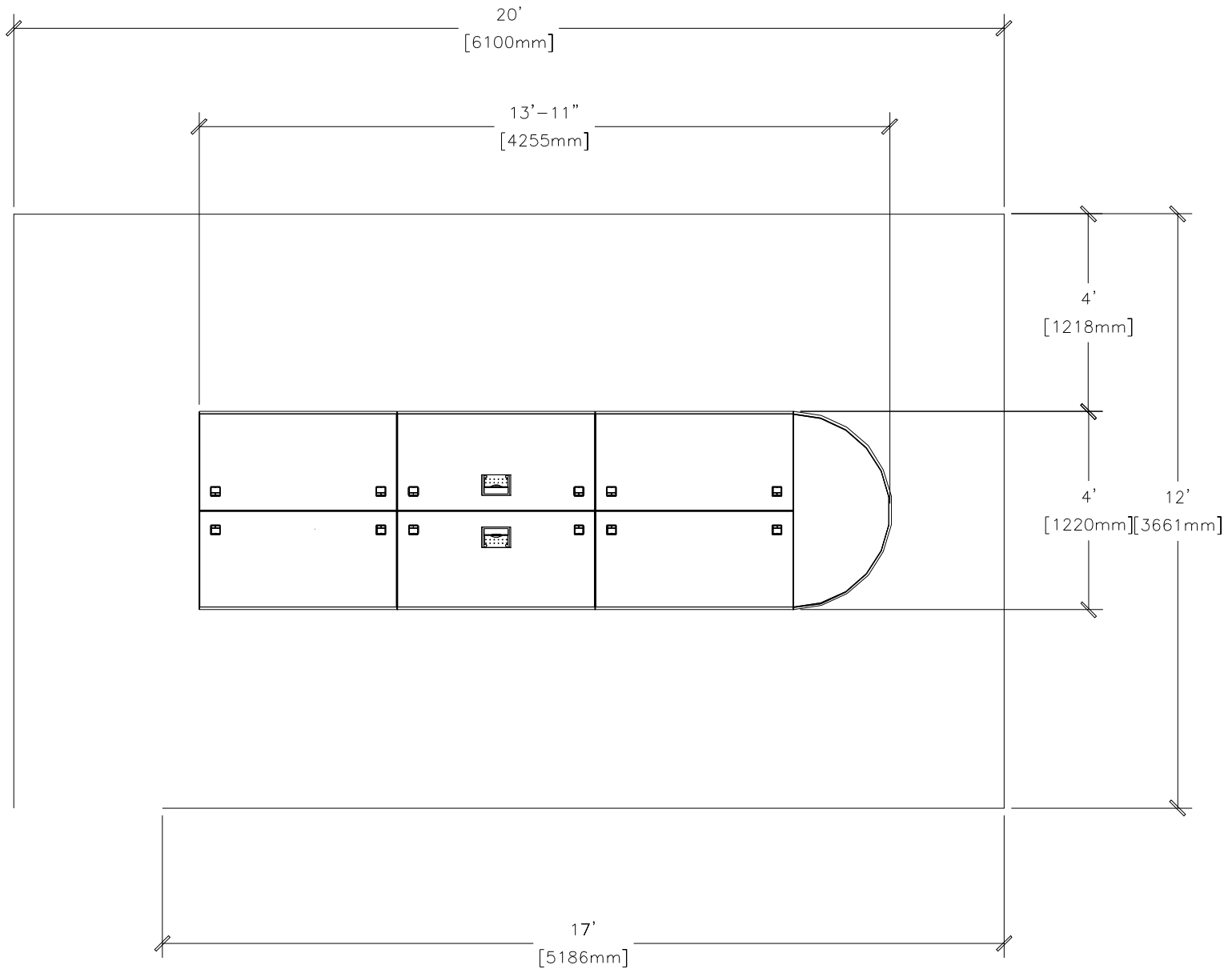
Product:
Linx

Date:
03/05/2010

Drawn by:
Joel

Quote:
Q11011_20720

This is an artistic representation of a custom Wright Line Solution. This representation may contain items to demonstrate layout usages. A Wright Line Bill of Material (BOM) will reflect the only items being quoted.



wright·line
technical environment solutions

Sales Representative:
Dennis Kilgariff
Eastern

Prepared for:
AMRCON
Conf. Table

2009 © Wright Line LLC. All rights reserved. No portion of this document may be reproduced or transmitted in whole or in part without the prior written consent of Wright Line LLC.

Product:
Linx

Date:
03/05/2010

Drawn by:
Joel

Quote:
Q11011_20720